



THARATHONG METAL CO.,LTD
 199,199/1,199/2 Moo 13
 T.Bangpassi A.Banglen
 Nakornpathom 73130 Tel. (034)
 301-311, Fax. (034) 301-312
 www.tharathongmetal.com

GENERAL NOTES:

REV	DESCRIPTION	DATE	DRAWN

Owner:

Architect:

Civil & Structural Engineer:

Mechanical & Electrical Engineer:

Quantity Surveyor :

Landscape Consultant :

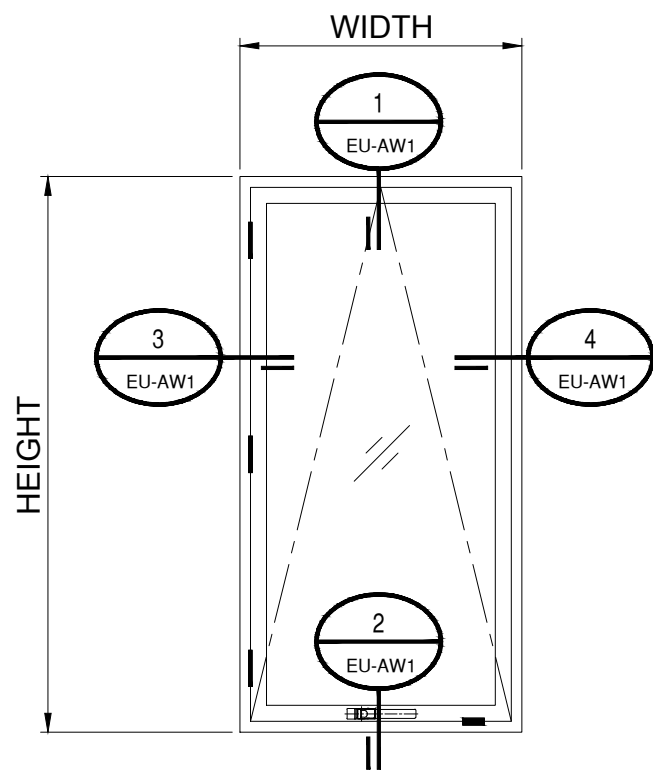
Main Contractor:

Sub Contractor:

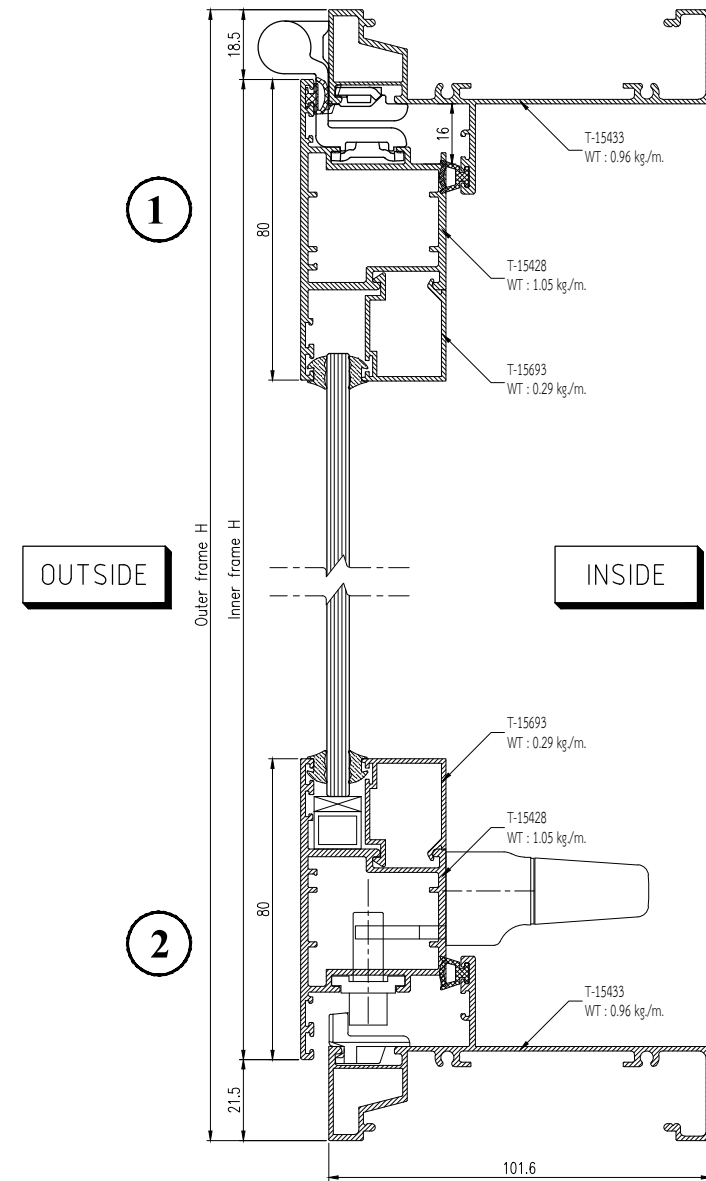
PROJECT NAME:

DRAWING TITLE:
SWING OPENABLE WINDOW
EURO 1 SIDE ELEVATION

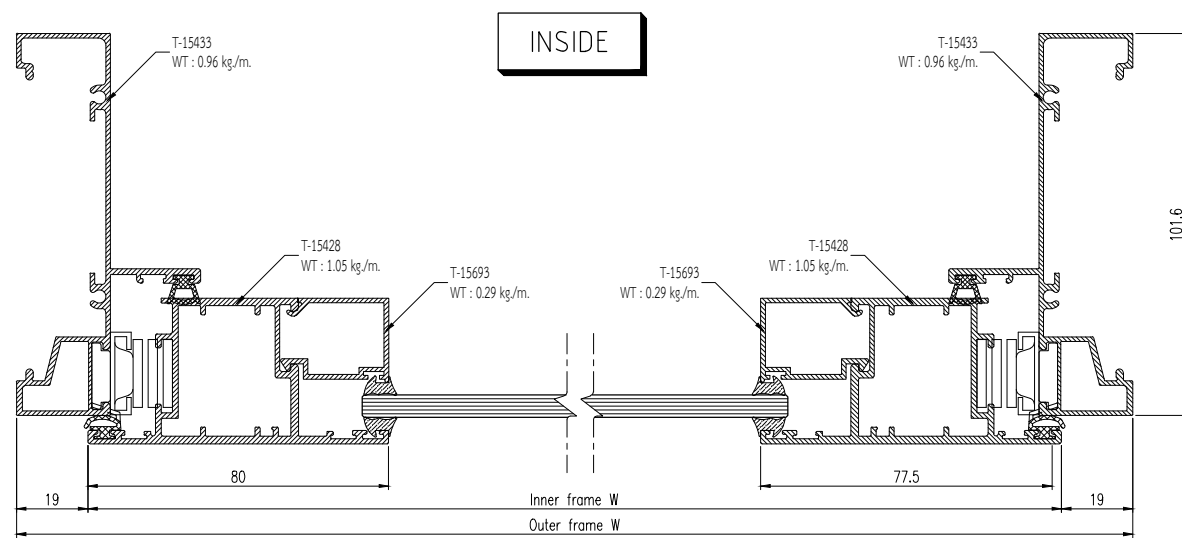
DESIGNED: Ton	CHECKED: Tuang
DRAWN: Ton	APPROVED: Karoon
DATE: 17/08/2560	SCALE: NTS.
DRAWING TITLE EU-AW1	DWG. Page 012
	REV NO: -



ELEVATION
 SCALE : NTS.



VERTICAL SECTION DETAIL
 Scale 1:2



HORIZONTAL SECTION DETAIL
 Scale 1:2

[Date: 17/08/2020] [User: Murali.Son] [Project: Layout: Layout] [Scale: 1:2]