

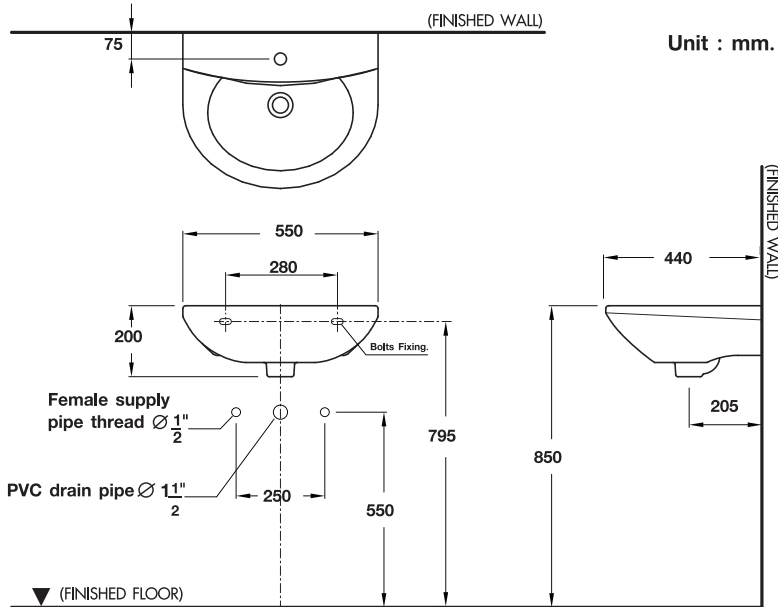
WALL HUNG BASIN INSTALLATION MANUAL

For Model : **C-014 WENDY Wall hung basin**

MA-BA033

ISSUE 03 2014

Suggested Dimension



The suggested dimension is the range from the finished wall.



The installing components are suitable for plastered brick wall only. (In case of using with another type of wall, please consult with installation team.)

MAINTENANCE

1. To clean the outside or inside of ceramic parts, use a bathroom cleaning brush with concentrated bathroom disinfectant.
2. To clean chrome parts, use soft cloth with machine oil or polisher to clean the chrome parts for shiny look and corrosion protection. Do not clean with chloride chemical.

SIAM SANITARYWARE INDUSTRY CO.,LTD

OFFICE 36/11 VIBHAVADI RANGSIT ROAD, SANAM BIN, DON MUANG, BANGKOK, 10210, THAILAND. TEL.(662) 973-5040 FAX.(662) 973-3470-4

COTTO STUDIO Call Center TEL.(662) 521-7777 FAX.(662) 551-1414 NORTHERN CHIANG MAI TEL.(665) 322-6726

SOUTHERN PHUKET TEL. (667) 626-1888 EASTERN PATTAYA TEL.(663) 841-6222

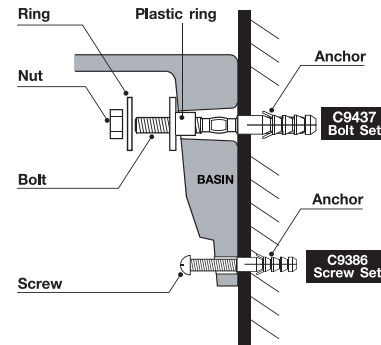
NORTH-EASTERN KHONKAEN TEL.(664) 322-0555

MADE IN THAILAND

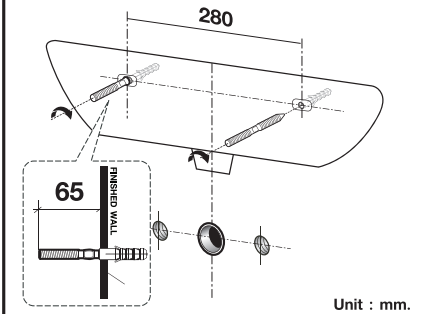
THE COMPANY RESERVES THE RIGHT TO CHANGE ANY OF THE DETAILS IN THIS BROCHURE WITHOUT PRIOR NOTICE

COTTO

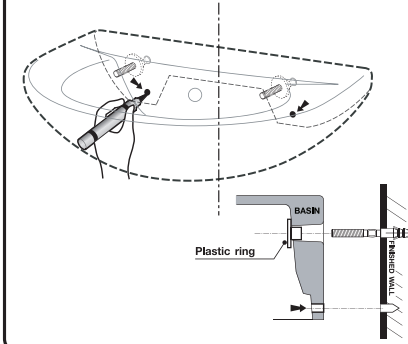
Detail for installation.



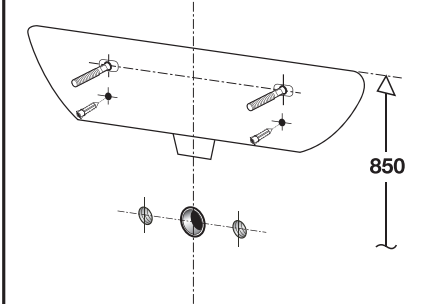
- 1 Drill holes and insert anchors. Tighten bolts as shown dimension.



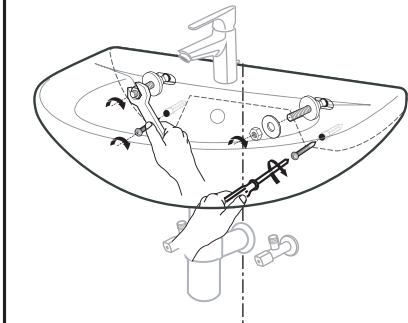
- 2 Insert the plastic ring into the basin and do a trial installation. Mark the screw holes.



- 3 Drill holes and insert anchors for screws.



- 4 Install the basin and tighten nuts and screws. Connect a drain pipe and a faucet.



- 5 Check overall installation. Seal edges of the basin by silicone.

