



**TOSTEM Car Port**

**N E S C A Light**

**August 2016**



**Roof Type:**  
**Aluminum Color:**  
**Ceiling Color:**

**Flat Type:**  
**Natural Silver**  
**Clear Mat**

# Comfortable

## Ceiling Material

- Ceiling material is a polycarbonate.
- **Standard polycarbonate** cuts almost 100% harmful ultraviolet rays by special coating and is superior materials with shock strength of approximately 200 times of the glass.
- **Heat rays absorbing polycarbonate** cuts heat from strong sunlight and can control a rise the inside temperature of car effectively.

### Actual measurement value under Sunlight

	Direct Sunlight	Polycarbonate	Heat rays absorbing polycarbonate
Inside Car Degree	62 °C	50 °C	46 °C
Dashboard of car	77 °C	58 °C	51 °C

\* This figures are actual value, not certified value

**Not break easily**
**Standard Polycarbonate**

Shock strength  
**200 times**  
of the glass

UV protection

**Clear Blue**

**Clear Mat**

<b>Transmittance</b>	<b>31%</b>	<b>83%</b>
<b>Heat Protection</b>	<b>37%</b>	<b>20%</b>

**Not heat easily**
**Heat rays absorbing Polycarbonate**

Shock strength  
**200 times**  
of the glass

UV protection

Heat protection

**Blue Mat s**

**Clear Mat s**

<b>Transmittance</b>	<b>17%</b>	<b>80%</b>
<b>Heat Protection</b>	<b>52%</b>	<b>36%</b>

\* Polycarbonate thickness 1.8mm

Copyright © LIXIL Corporation. All rights reserved.

\* Polycarbonate thickness 1.8mm

# Usability

## Height Variation

We have three height type.  
It can be suitable for many  
type of height of car.



**\*Only for Wide Round**

## Combination Variation



**Wide Flat**

## Wind Pressure Resistance



Window Pressure  
Resistance  
Wind speed  
**34m/s**

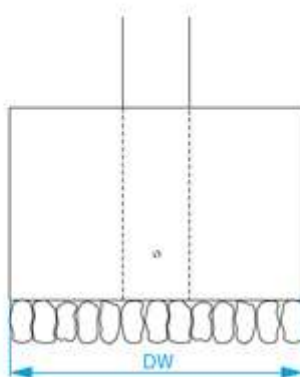
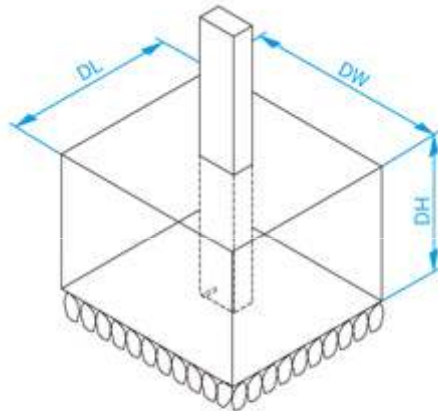
TOSTEM Car Port ensure window pressure resistance window speed 34m/s. Our product make a safety your car and property.

# Workability

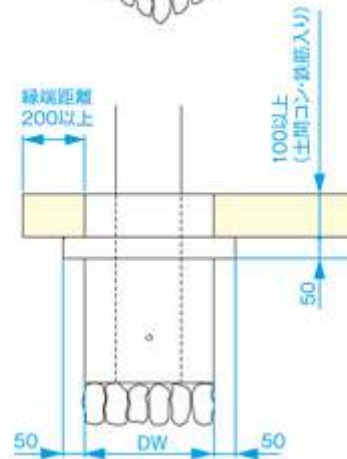
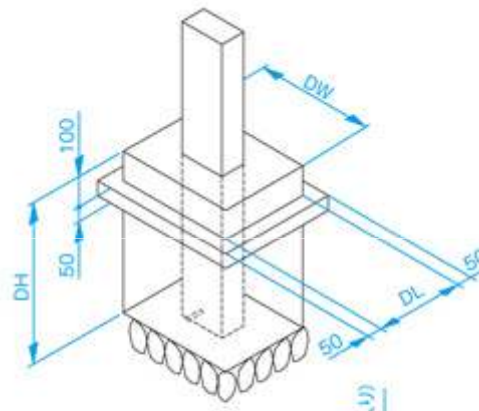
## Installation option

We have three way for installation. You can choose a suitable way in options.

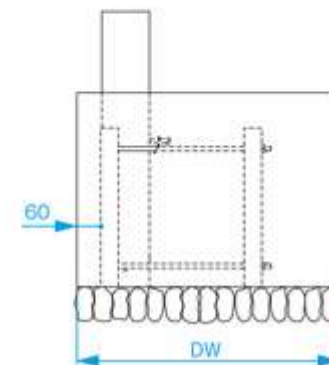
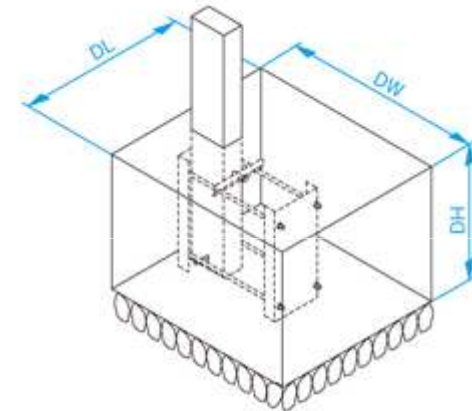
Individual basement



Joint concrete ground



Eccentric pole



# Specification Table

Car Port Series		NESCA Light
Wind pressure resistance		Wind speed 34 m/s
Roof Type		Flat Type
Size Variation	Height Variation	2.2m for one car
	Width Variation	5 m
Ceiling Material & Color	Standard Polycarbonate	Clear Mat
	Heat rays absorbing polycarbonate	Blue Mat s
Color variation	Natural Silver	✓
Combination variation	Regular	✓
	Wide Type	✓

# Current Model - Flat Type

---



Natural Silver

## Specification

**Size : Height : 2.2m Width : 2.4m Length : 5.0m**

**Roof Type : Flat type**

**Ceiling Material : Standard Polycarbonate**

**Wind pressure resistance : 34 m / s**

